

FOKUS AMPUTATION SET

KEMENKES RI AKL 11603911737



AC 331.14
Kelly Artery Forcep 14cm, curved



AA 104.41
Standard Scalpel-Handle no.4L, solid straight



AC 382.14
Kocher-Nippon Art.Fcp.14cm,1:2Teeth,str



NV 601.50
Gigli Saw 50cm



AC 383.14
Kocher-Nippon Art.Fcp.14cm,1:2Teeth,cvd.



AD 222.02
Volkman Retractor.2 dents.semi-sharp

FOKUS AMPUTATION SET

KEMENKES RI AKL 11603911737



AD 222.03

Volkmann Retractor.3 dents.semi-sharp



AD 103.14

Standard Forcep Tiss. 14cm, 1:2 Teeth



HA 180.17

High-Quality Mayo-Stillie Scissor 17cm.st



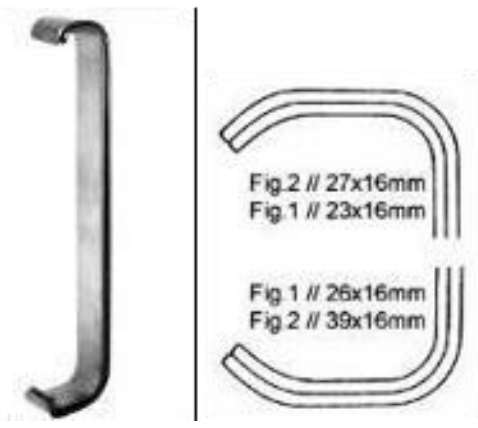
AC 915.08

Backhaus Towel Forcep 8cm



AA 265.15

Metzenbaum Scissor 15cm, curved, bl/bl



AD 665.02

Farabeuf Retractor. Fig.2. 15 cm

FOKUS AMPUTATION SET

KEMENKES RI AKL 11603911737



AY 583.12

Redon Guide Needle Ch.12, lancet tip



AE 390.14

Mayo-Hegar Needle Holder 14cm



AY 586.16

Redon Guide Needle Ch.16, trocar tip



KN 461.10

Lambotte Periosteal Raspatory 21cm/10mm



HE 350.15

High-Quality Crile-wood Needle holder 15 cm



KN 461.20

Lambotte Periosteal Raspatory 21cm/20mm

FOKUS AMPUTATION SET

KEMENKES RI AKL 11603911737



KD 762.30

Percy Amputating retractors, handle deta



KV 114.31

Satterlee Amputating saw 31 cm



SR 433.095

Container alu/alu, filter in Lid, box non perforated 300x130x95 mm, lid blue